

B115 Insulated Fasten Clamp FC series

PRODUCT DESCRIPTION:

FC P(A)- xx

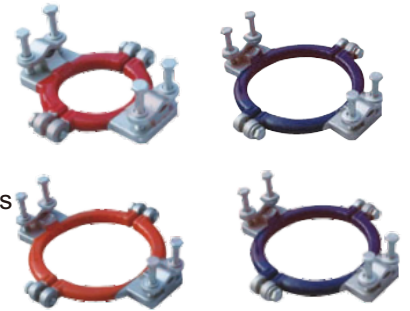
FC= Fasten clamp ; P=Plastic ; A=Aluminum alloy; xx= insulator code.
Fasten clamp are use for fastening the insulator on the conductor in 11KV or below 11KV.

PRODUCT RANGE:

TYPE	VOLTAGE (kV)	CONDUCTOR (mm ²)	DIMENSION (mm)			REMARKS
			A	B	C	
FCP-P20	<= 11kV	25~240mm ²	Φ106	200	180	Body: weather resistant plastic
FCP-P15			Φ84	160	130	
FCP-PS15			Φ66	153	120	
FCA-P20	<= 11kV	25~240mm ²	Φ106	178	157	Body: aluminum alloy
FCA-P15			Φ84	160	135	
FCA-PS15			Φ66	146	117	
FCA-PSN	20kV	25~240mm ²	Φ76	170	150	Insulator: PSN-170/12.5S



FCP



FCA

USED MATERIALS:

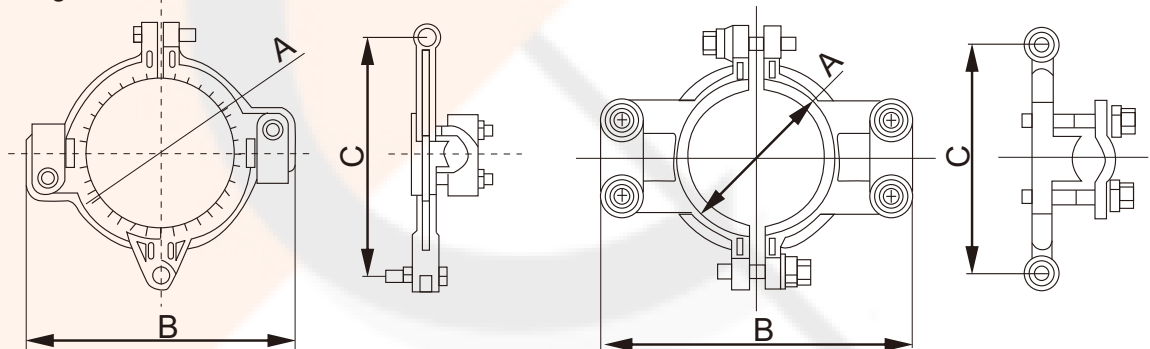
High intensity aluminum- alloy or high strength plastic.

VARIANTS:

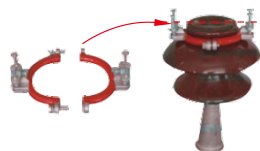
The product is manufactured and supplied in modification's as is showed upwards in PRODUCT RANGE.

STORAGE AND TRANSPORT:

Product do not have any specific requirements on storage. It is fire-resistant and it is not dangerous.



1. Choose size according to insulator type.



2. Open the screw on the fasten clamp rings,lock it on the insulator neck.



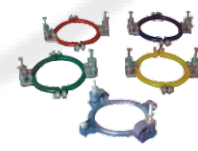
3. Lossen the screw on the aluminum clamp. If plastic clamp, only need turn the direction of the screw.



3. Put conductor on top of the insulator, Closed the screw on both end and tightening it by hands.



5.Use wrench to tighten the screw well.



6.Each fasten clamp with release function and color for each phase.