

B104 Piercing connector low voltage

PRODUCT DESCRIPTION:

PC T ab(B) x/y

PC = Piercing CONNECTOR

T = Tear head; B= BARE; a= bolt No.; b= outlet number; x= Max of main cond.; y= Max of Tap cond.

Purpose of Insulation piercing connectors(IPC) is to connect main and one (PC13), two (PC14) tap conductor's of section, how is written on IPC body. Type without letter B serves to connect isolated conductors, with letter B bare conductors. IPC for one tap conductor is equipped with cable termination cap PCEC 6 / 120, for two wires - no caps.

IPC consists from two glass-fiber reinforced plastic parts, which are fitted with two brass tinned teeth's, which are coated with UV-curing silica grease and the teeth are fitted with rubber insulation. This set is associated with the bolt, nut and pinch fixation segment. The terminals marked T are equipped with tear head. The lower part of the clamp is designed to be hold by the key 13 and the ventilation chamber, providing optimal ventilation of IPC.

Product can be also used as tap connector inside low voltage boxes.

PRODUCT RANGE:

PCT13C 120/10 RE/RM, isolated 6-120/ isolated 1.5-10 mm², Cu/Al.

PCT13CB 120/10 RE/RM, bare 6-120/ isolated 1.5-10 mm², Cu/Al.

USED MATERIALS:

UV & fire resistant PA66 , PVC , dacromet or H.D.G.(optional) finished steel, tinned brass.

VARIANTS:

The product is manufactured and supplied in modification's as is showed upwards in PRODUCT RANGE.

PACKING:

300pcs per carton.

G.W:17 kg

N.W: 18kg

STORAGE AND TRANSPORT:

Product do not have any specific requirements on storage. It is fire-resistant and it is not dangerous.

*** Since 2013, we will delivery 2013 new type as default. old version should be required.***

old version



old version



2013 New

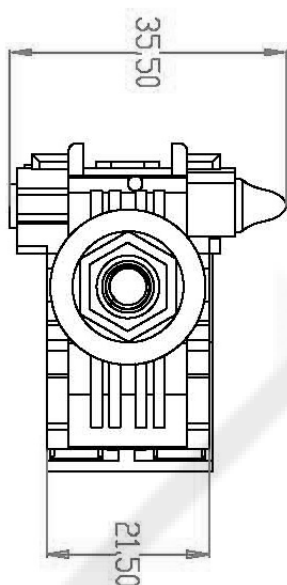
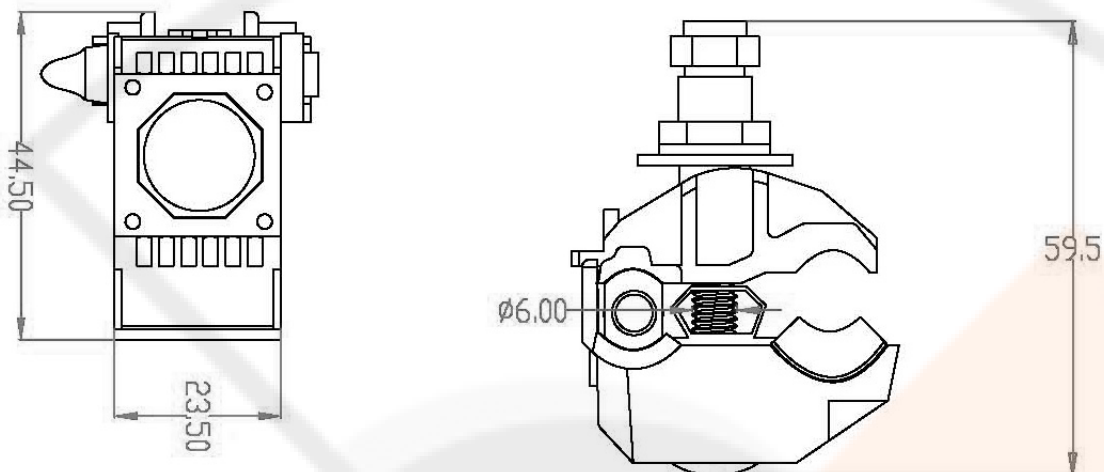


PIERCING CONNECTOR IPC

PC13C(B) 120/10



B104 Piercing connector low voltage



ITEM - MATERIAL

1. Lower body - PA 66
2. Connecting blades - Tinned brass
3. Upper body - PA 66
4. Washer - H.D.G steel or DACROMET
5. Shear head - Zinc Alloy
6. Waterproof sealing - RUBBER
7. Bolt - H.D.G steel or DACROMET