

B101 Multi Tap Adaptor

PRODUCT DESCRIPTION:

Adapter is used to turn multiple conductors of low voltage. Whole adaptor is inserted into the IPC with piercing teeth who penetrate through the insulation. This joint is 100% waterproof.

The adapter can be installed with any IPC who allows you to transfer the required voltage, and has the ability to carry the required number of conductors.

On his body is 8 screws and 4 mounting holes, into which the wires 1,5 - 35 mm² where plugged.

It's allowed to use more smaller diameter conductors, provided that their overall average does not exceed the 35mm². In this case, we recommend twist wires together.

The wires are inserted into the mounting hole, which is equipped with flexible rubber against moisture. Then each wire is fixed by 2 screws with plastic shear head.

PRODUCT RANGE:

Wire :RE/RM 1,5-35mm² Cu/Al.

USED MATERIALS:

Hi-conductivity aluminium, PVC UV resistant, rubber.

VARIANTS:

The product is manufactured and supplied in this form only.

PACKING:

Carton dimensions: 600x350x210.

Contain 60Pcs, in each 5 boxes, each contain 12 pieces.

Weight: 315g/pcs.

Netto: 18,9kg.

Brutto: 21Kg.

STORAGE AND TRANSPORT:

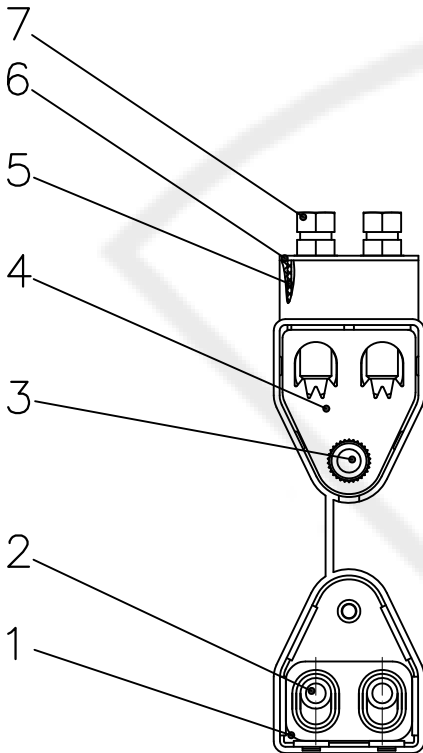
Product do not have any specific requirements on storage. It is fire-resistant and it is not dangerous.



LOW VOLTAGE ADAPTOR



B101 Multi Tap Adaptor



POSITION. ITEM - MATERIAL

1. Cover - PA66
2. Waterproof bushing - RUBBER
3. Connecting drum - Al
4. Body - Al
5. Screw cover - RUBBER
6. PAD - PA66
7. SCREW - Al

